

## BENEFICIARY ELIGIBLE MITIGATION ACTION CERTIFICATION

---

Beneficiary \_\_\_\_\_

Lead Agency Authorized to Act on Behalf of the Beneficiary Nevada Division of Environmental Protection  
*(Any authorized person with delegation of such authority to direct the Trustee delivered to the Trustee pursuant to a Delegation of Authority and Certificate of Incumbency)*

<b>Action Title:</b>	
<b>Beneficiary's Project ID:</b>	
<b>Funding Request No.</b>	<i>(sequential)</i>
<b>Request Type: (select one or more)</b>	<input type="checkbox"/> Reimbursement <span style="margin-left: 150px;"><input type="checkbox"/> Advance</span> <input type="checkbox"/> Other (specify): _____
<b>Payment to be made to: (select one or more)</b>	<input type="checkbox"/> Beneficiary <input type="checkbox"/> Other (specify): _____
<b>Funding Request &amp; Direction (Attachment A)</b>	<input type="checkbox"/> Attached to this Certification <input type="checkbox"/> To be Provided Separately

### SUMMARY

<b>Eligible Mitigation Action</b>	<input type="checkbox"/> Appendix D-2 item (specify): _____	
<b>Action Type</b>	<input type="checkbox"/> Item 10 - DERA Option (5.2.12) (specify and attach DERA Proposal):	
<b>Explanation of how funding request fits into Beneficiary's Mitigation Plan (5.2.1):</b> Detailed on pages 10-17 of Nevada's BMP, this funding request will support multiple AGSE replacements.		
<b>Detailed Description of Mitigation Action Item Including Community and Air Quality Benefits (5.2.2):</b> Please refer to attached pages 4-7 for this description.		
<b>Estimate of Anticipated NOx Reductions (5.2.3):</b> It is anticipated that this project will mitigate 14.409 tons NOx.		
<b>Identification of Governmental Entity Responsible for Reviewing and Auditing Expenditures of Eligible Mitigation Action Funds to Ensure Compliance with Applicable Law (5.2.7.1):</b> The Nevada Division of Environmental Protection		
<b>Describe how the Beneficiary will make documentation publicly available (5.2.7.2).</b> Please refer to attached pages 12-15 of this submittal for this description.		
<b>Describe any cost share requirement to be placed on each NOx source proposed to be mitigated (5.2.8).</b>		
Total Project Budget:	Project Costs paid by Trust:	Cost share requirement:
\$1,948,742.37	Category 7 Funds	\$715,134.82
	\$1,072,702.22	Project Admin Costs
	\$160,905.33	
<b>Describe how the Beneficiary complied with subparagraph 4.2.8, related to notice to U.S. Government Agencies (5.2.9).</b> NDEP sent emails to the representatives from the U.S. Department of the Interior and the U.S. Department of Agriculture listed in subparagraph 4.2.8 of the State Trust Agreement on February 23, 2018.		

**If applicable, describe how the mitigation action will mitigate the impacts of NOx emissions on communities that have historically borne a disproportionate share of the adverse impacts of such emissions (5.2.10).**  
This airport ground support equipment replacement project will occur in Clark County, Nevada. Clark County is an area of Nevada that has historically borne a disproportionate share of the State's air pollution burden.

**ATTACHMENTS**  
**(CHECK BOX IF ATTACHED)**

- Attachment A**      **Funding Request and Direction.**
- Attachment B**      **Eligible Mitigation Action Management Plan Including Detailed Budget and Implementation and Expenditures Timeline (5.2.4).**
- Attachment C**      **Detailed Plan for Reporting on Eligible Mitigation Action Implementation (5.2.11).**
- Attachment D**      **Detailed cost estimates from selected or potential vendors for each proposed expenditure exceeding \$25,000 (5.2.6). [Attach only if project involves vendor expenditures exceeding \$25,000.]**
- Attachment E**      **DERA Option (5.2.12). [Attach only if using DERA option.]**
- Attachment F**      **Attachment specifying amount of requested funding to be debited against each beneficiary's allocation (5.2.13). [Attach only if this is a joint application involving multiple beneficiaries.]**

**CERTIFICATIONS**

**By submitting this application, the Lead Agency makes the following certifications:**

- 1. This application is submitted on behalf of Beneficiary Nevada, and the person executing this certification has authority to make this certification on behalf of the Lead Agency and Beneficiary, pursuant to the Certification for Beneficiary Status filed with the Court.**
- 2. Beneficiary requests and directs that the Trustee make the payments described in this application and Attachment A to this Form.**
- 3. This application contains all information and certifications required by Paragraph 5.2 of the Trust Agreement, and the Trustee may rely on this application, Attachment A, and related certifications in making disbursements of trust funds for the aforementioned Project ID.**
- 4. Any vendors were or will be selected in accordance with a jurisdiction's public contracting law as applicable. (5.2.5)**
- 5. Beneficiary will maintain and make publicly available all documentation submitted in**

**support of this funding request and all records supporting all expenditures of eligible mitigation action funds subject to applicable laws governing the publication of confidential business information and personally identifiable information. (5.2.7.2)**

**DATED:** 7/20/2020

Danilo Dragoni, PhD

**[NAME]**



**[SIGNATURE]**

Chief, Bureau of Air Quality Planning

**[TITLE]**

Nevada Division of Environmental Protection

**[LEAD AGENCY]**

**for**

Nevada

**[BENEFICIARY]**

Parameter	Unit	Value
PM <sub>10</sub>	µg/m <sup>3</sup>	1.409
PM <sub>2.5</sub>	µg/m <sup>3</sup>	1.111
CO	ppm	1.033
HC	ppm	1.422
CO <sub>2</sub>	ppm	412.448

**DETAILED DESCRIPTION OF MITIGATION ACTION ITEM INCLUDING  
COMMUNITY AND AIR QUALITY BENEFITS (5.2.2)**

This Eligible Mitigation Action Category 7 – Airport Ground Support Equipment replacement project will support the early retirement and replacement of 8 pieces of airport ground support equipment (AGSE) owned and operated by Southwest Airlines and will be located at the McCarran International Airport in Clark County, Nevada. Upon completion of the project, the permanent scrapping of the diesel-powered, Non-Government owned AGSE for brand new, all-electric replacements will provide a direct benefit to air quality.

The details regarding the individual units being replaced through this project as well as the replacement units are included on pages 5 and 6 of this submission. The Nevada Division of Environmental Protection (NDEP) will work with Southwest Airlines on the scrapping of the AGSE and will routinely coordinate with their staff for routine updates and possible site visits to ensure a timely and efficient completion of this project. The NDEP will not seek to have Southwest Airlines reimbursed for this project until they have provided sufficient scrapping evidence to the NDEP.

The total, expected lifetime emissions reductions are provided in the table below (and detailed on page 7). Emissions reductions were calculated based on the approach for alternative fuel/all-electric replacements that the NDEP identified on page 26 our Beneficiary Mitigation Plan.<sup>1</sup> Emissions reductions were quantified using the EPA’s Diesel Emission Quantifier.<sup>2</sup>

<b>Pollutant</b>	<b>Emissions Reductions (tons)</b>
NOx	14.409
PM <sub>2.5</sub>	1.123
CO	7.873
HC	1.922
CO <sub>2</sub>	3,712.448

<sup>1</sup> Nevada’s Beneficiary Mitigation Plan can be found online at [https://ndep.nv.gov/uploads/air-vw-bmp-docs/beneficiary\\_mitigation\\_plan.pdf](https://ndep.nv.gov/uploads/air-vw-bmp-docs/beneficiary_mitigation_plan.pdf).

<sup>2</sup> The EPA’s Diesel Emission Quantifier can be found online at <https://cfpub.epa.gov/quantifier/index.cfm?action=main.home>.

<b>Existing Equipment/Engine Information</b>				
<b>Instructions/Units</b>	<b>Fleet Information</b>	<b>Unit 1</b>	<b>Unit 2</b>	<b>Unit 3</b>
	Southwest Unit Number	3976	425	989
Examples include baggage tug or tractor, belt loader, aircraft tug, etc.	What is the equipment's intended use?	Aircraft Tug	Aircraft Tug	Aircraft Tug
	Equipment Manufacturer	Equi Tech	FMC	FMC
	Equipment Model	MB4 200	B-300	B-300
	Equipment Model Year	1985	1996	1996
	Engine Make	Perkins	Detroit	Detroit
	Engine Model	4.236	353T	353T
	Engine Model Year	1985	1996	1996
	Engine Serial Number	LJ70128U934521K	03D0300986	03D0300465
	Engine Horsepower	81	150	150
Include idling hours	Annual Hours of Operation	357	317	402
Include idling hours	Total Hours of Operation	12138	7291	9246
	Fuel Type	Diesel	Diesel	Diesel
(gallons)	Annual Fuel Used	896	1326	1681
(years)	Remaining Equipment Life	0	8	8
Year in which Equipment would normally be retired/sold by the fleet owner if not for this grant.	Normal Attrition Year	2016	2027	2027
<b>Replacement/Repower Equipment/Engine Information</b>				
<b>Instructions/Units</b>	<b>Fleet Information</b>	<b>Unit 1</b>	<b>Unit 2</b>	<b>Unit 3</b>
	Equipment GVWR	NA	NA	NA
	Equipment Make	LEKTRO	LEKTRO	LEKTRO
	Equipment Model	AP8950SDB-AL-200	AP8950SDB-AL-200	AP8950SDB-AL-200
	Equipment Model Year	2019	2019	2019
	Engine Make	Warfield Electric Motor Company	Warfield Electric Motor Company	Warfield Electric Motor Company
	Engine Model	54015N	54015N	54015N
	Engine Model Year	2019	2019	2019
	Fuel Type	Electric	Electric	Electric
	Unit Replacement/Repower Cost	\$ 223,479.63	\$ 223,479.63	\$ 223,479.63

<b>Unit 4</b>	<b>Unit 5</b>	<b>Unit 6</b>	<b>Unit 7</b>	<b>Unit 8</b>
992	1169	979	987	1843
Aircraft Tug	Aircraft Tug	Aircraft Tug	Aircraft Tug	Aircraft Tug
FMC	FMC	Jetline	Jetline	Jetline
B-350	B-300	B-300	B-300	B-300
1998	1994	1994	1994	1995
Deutz	Detroit	Detroit	Detroit	Detroit
BF4M1013F	453	453	353T	353
1998	1994	1994	1994	1995
323993	53PF022303	04D0230092	03D0213072	3D-213215
125	123	123	150	150
378	418	357	342	320
7938	10450	8925	8550	7680
Diesel	Diesel	Diesel	Diesel	Diesel
1317	1433	1224	1430	1338
10	6	6	6	7
2029	2025	2025	2025	2026
<b>Unit 4</b>	<b>Unit 5</b>	<b>Unit 6</b>	<b>Unit 7</b>	<b>Unit 8</b>
NA	NA	NA	NA	NA
LEKTRO	LEKTRO	LEKTRO	LEKTRO	LEKTRO
AP8950SDB-AL-200	AP8950SDB-AL-200	AP8950SDB-AL-200	AP8950SDB-AL-200	AP8950SDB-AL-200
2019	2019	2019	2019	2019
Warfield Electric Motor Company	Warfield Electric Motor Company	Warfield Electric Motor Company	Warfield Electric Motor Company	Warfield Electric Motor Company
54015N	54015N	54015N	54015N	54015N
2019	2019	2019	2019	2019
Electric	Electric	Electric	Electric	Electric
\$ 223,479.63	\$ 223,479.63	\$ 223,479.63	\$ 223,479.63	\$ 223,479.63

Unit	Unit Cost	Requested Amount	AFLEET or DEQ or Gas	Emissions Reductions (tons)				
				NOx	PM2.5	CO	HC	CO2
Unit 1	\$ 223,479.63	\$ 134,087.78	DEQ	0.1612	0.0062	0.1395	0.0775	312.4800
Unit 2	\$ 223,479.63	\$ 134,087.78	DEQ	2.2123	0.1661	1.2733	0.2791	462.4425
Unit 3	\$ 223,479.63	\$ 134,087.78	DEQ	2.8220	0.2308	1.6790	0.3572	586.2503
Unit 4	\$ 223,479.63	\$ 134,087.78	DEQ	1.8725	0.1413	0.5097	0.1980	459.3053
Unit 5	\$ 223,479.63	\$ 134,087.78	DEQ	1.8818	0.1569	1.1201	0.2630	499.7603
Unit 6	\$ 223,479.63	\$ 134,087.78	DEQ	1.6015	0.1269	0.9301	0.2246	426.8700
Unit 7	\$ 223,479.63	\$ 134,087.78	DEQ	1.8680	0.1443	1.0781	0.2606	498.7125
Unit 8	\$ 223,479.63	\$ 134,087.78	DEQ	1.9900	0.1507	1.1435	0.2622	466.6275
Total	\$ 1,787,837.04	\$ 1,072,702.22		14.4093	1.1232	7.8733	1.9222	3,712.4484

## ATTACHMENT FOR 5.2.7.2

### Describe how the Beneficiary will make documentation publicly available

Subparagraph 5.2.7.2 of the Environmental Mitigation Trust Agreement for State Beneficiaries requires that Beneficiaries include in their funding requests:

*A commitment by the Beneficiary to maintain and make publicly available all documentation submitted in support of the funding request and all records supporting all expenditures of Eligible Mitigation Action funds, subject to applicable laws governing the publication of confidential business information and personally identifiable information, together with an explanation of the procedures by which the Beneficiary shall make such documentation publicly available;*

The Nevada Division of Environmental Protection (NDEP), the Lead Agency for the State of Nevada, is committed to maintaining and making publicly available all documentation submitted support of the funding requests and all records supporting all expenditures of Eligible Mitigation Action funds, subject to applicable laws governing the publication of confidential business information and personally identifiable information.

The public will be able to view these records on the NDEP's website (<https://ndep.nv.gov>). The NDEP will maintain these records on a Volkswagen (VW) Environmental Mitigation Trust Fund specific webpage that will be designed to support public access and limit burden for the general public. The NDEP's VW specific webpage can currently be found at <https://ndep.nv.gov/air/vw-settlement>.

The NDEP has created an electronic listserv, open to the public, used to communicate news, events, and information related the Environmental Mitigation Trust Fund (Mitigation Fund). The listserv, NevadaVWFund, is advertised through the NDEP website and at public events related to the Mitigation Fund.

**Chapters 603A and 239B of the Nevada Revised Statutes (NRS)** provide definitions and requirements for handling *personal information*.

NRS Section 603A.040 defines 'Personal Information' as:

1. *"Personal information" means a natural person's first name or first initial and last name in combination with any one or more of the following data elements, when the name and data elements are not encrypted:*
  - (a) *Social security number.*
  - (b) *Driver's license number, driver authorization card number or identification card number.*
  - (c) *Account number, credit card number or debit card number, in combination with any required security code, access code or password that would permit access to the person's financial account.*
  - (d) *A medical identification number or a health insurance identification number.*



- (e) A user name, unique identifier or electronic mail address in combination with a password, access code or security question and answer that would permit access to an online account.*
- 2. The term does not include the last four digits of a social security number, the last four digits of a driver's license number, the last four digits of a driver authorization card number or the last four digits of an identification card number or publicly available information that is lawfully made available to the general public from federal, state or local governmental records.*

NRS Section 239B.030 – *Recorded, filed or otherwise submitted documents* - states that:

- 1. Except as otherwise provided in subsections 2 and 6, a person shall not include and a governmental agency shall not require a person to include any personal information about a person on any document that is recorded, filed or otherwise submitted to the governmental agency on or after January 1, 2007.*
- 2. If personal information about a person is required to be included in a document that is recorded, filed or otherwise submitted to a governmental agency on or after January 1, 2007, pursuant to a specific state or federal law, for the administration of a public program or for an application for a federal or state grant, a governmental agency shall ensure that the personal information is maintained in a confidential manner and may only disclose the personal information as required:*
- (a) To carry out a specific state or federal law; or*
- (b) For the administration of a public program or an application for a federal or state grant.*
- ↪ Any action taken by a governmental agency pursuant to this subsection must not be construed as affecting the legality of the document.*
- 3. A governmental agency shall take necessary measures to ensure that notice of the provisions of this section is provided to persons with whom it conducts business. Such notice may include, without limitation, posting notice in a conspicuous place in each of its offices.*
- 4. A governmental agency may require a person who records, files or otherwise submits any document to the governmental agency to provide an affirmation that the document does not contain personal information about any person or, if the document contains any such personal information, identification of the specific law, public program or grant that requires the inclusion of the personal information. A governmental agency may refuse to record, file or otherwise accept a document which does not contain such an affirmation when required or any document which contains personal information about a person that is not required to be included in the document pursuant to a specific state or federal law, for the administration of a public program or for an application for a federal or state grant.*
- 5. Each governmental agency may ensure that any personal information contained in a document that has been recorded, filed or otherwise submitted to the governmental agency before January 1, 2007, which the governmental agency continues to hold is:*
- (a) Maintained in a confidential manner if the personal information is required to be included in the document pursuant to a specific state or federal law, for the administration of a public program or for an application for a federal or state grant; or*
- (b) Obliterated or otherwise removed from the document, by any method, including, without limitation, through the use of computer software, if the personal information is not required to be*

*included in the document pursuant to a specific state or federal law, for the administration of a public program or for an application for a federal or state grant.*

➤ *Any action taken by a governmental agency pursuant to this subsection must not be construed as affecting the legality of the document.*

6. *A person may request that a governmental agency obliterate or otherwise remove from any document submitted by the person to the governmental agency before January 1, 2007, any personal information about the person contained in the document that is not required to be included in the document pursuant to a specific state or federal law, for the administration of a public program or for an application for a federal or state grant or, if the personal information is so required to be included in the document, the person may request that the governmental agency maintain the personal information in a confidential manner. If any documents that have been recorded, filed or otherwise submitted to a governmental agency:*

*(a) Are maintained in an electronic format that allows the governmental agency to retrieve components of personal information through the use of computer software, a request pursuant to this subsection must identify the components of personal information to be retrieved. The provisions of this paragraph do not require a governmental agency to purchase computer software to perform the service requested pursuant to this subsection.*

*(b) Are not maintained in an electronic format or not maintained in an electronic format in the manner described in paragraph (a), a request pursuant to this subsection must describe the document with sufficient specificity to enable the governmental agency to identify the document.*

➤ *The governmental agency shall not charge any fee to perform the service requested pursuant to this subsection.*

7. *As used in this section:*

*(a) "Governmental agency" means an officer, board, commission, department, division, bureau, district or any other unit of government of the State or a local government.*

*(b) "Personal information" has the meaning ascribed to it in [NRS 603A.040](#).*

**Chapter 239 of the NRS** provides general principles for the definition and the handling of public records. In particular, subsection 239.010.3 states that:

*A governmental entity that has legal custody or control of a public book or record shall not deny a request made pursuant to subsection 1 to inspect or copy or receive a copy of a public book or record on the basis that the requested public book or record contains information that is confidential if the governmental entity can redact, delete, conceal or separate the confidential information from the information included in the public book or record that is not otherwise confidential.*

**Chapter 445B of the NRS (Air Controls)** specifically provides further directions on what is confidential information and how such information must be handle in the context of the Air Program of the NDEP. In particular section 445B.570 – *Confidentiality and use of information obtained by Department*<sup>1</sup>; penalty – states that (footnotes added for clarity):

<sup>1</sup> Nevada Department of Conservation and Natural Resources (DCNR)

1. *Any information which the Department obtains in the course of the performance of its duties pursuant to the provisions of this chapter is public information unless otherwise designated as confidential information pursuant to the provisions of this section.*
2. *The emission of an air contaminant which has an ambient air quality standard or emission standard or has been designated as a hazardous air pollutant by regulation of the Commission cannot be certified as being confidential.*
3. *Any confidential information received by the Commission<sup>2</sup>, the Director<sup>3</sup> or any local control authority which is certified in writing to the recipient as confidential by the owner or operator disclosing the information and verified and approved in writing as confidential by the recipient must, unless the owner expressly agrees to its publication or availability to the public, be used only:
  - (a) *In the administration or formulation of air pollution controls;*
  - (b) *In compiling or publishing analyses or summaries relating to the condition of the outdoor atmosphere which do not identify any owner or operator or reveal any confidential information;*or
  - (c) *In complying with federal statutes, rules and regulations.**
4. *This section does not prohibit the use of confidential information in a prosecution for the violation of any statute, ordinance or regulation for the control of air pollution.*
5. *A person who discloses or knowingly uses confidential information in violation of this section is guilty of a misdemeanor, and is liable in tort for any damages which may result from such disclosure or use.*
6. *As used in this section, "confidential information" means information or records which:
  - (a) *Relate to dollar amounts of production or sales;*
  - (b) *Relate to processes or production unique to the owner or operator; or*
  - (c) *If disclosed, would tend to affect adversely the competitive position of the owner or operator.**

<sup>2</sup> Nevada State Environmental Commission

<sup>3</sup> Director of the Department of Conservation and Natural Resources

**ATTACHMENT B**

**ELIGIBLE MITIGATION ACTION MANAGEMENT PLAN INCLUDING DETAILED  
BUDGET AND IMPLEMENTATION AND EXPENDITURES TIMELINE**

**ATTACHMENT B**

**PROJECT MANAGEMENT PLAN PROJECT SCHEDULE AND MILESTONES**

<b>Milestone</b>	<b>Date</b>
NDEP begins solicitation for projects through the competitive Diesel Emission Mitigation Fund	CY 2019, Q2
Southwest Airlines submits application to NDEP	CY 2019, Q3
NDEP selects Southwest Airlines for funding	CY 2019, Q4
NDEP enters into Subgrant Agreement with Southwest Airlines	CY 2020, Q1
NDEP Submits and Trustee acknowledges receipt of project certification and funding direction	CY 2020, Q3
Project partner enters into Contracts, Purchase Orders, etc.	CY 2020, Q4
NDEP submits second "Advancement" payment request to Trustee	CY 2021, Q1
Southwest Airlines begins receiving new equipment	CY 2021, Q2
NDEP submits third "Advancement" payment request to Trustee	CY 2021, Q3
Southwest Airlines provides final invoice for equipment replacement to NDEP	CY 2021, Q3
NDEP completes review and certifies payment direction to Trustee (Reimbursement)	CY 2021, Q4
Trustee acknowledges receipt of direction for payment (Reimbursement)	CY 2021, Q4
NDEP reports project completion	CY 2022, Q1

## PROJECT BUDGET

Budget Category	Admin Expenses	Share of Replacement Budget Funded by the Trust	Cost Share (Paid by Project Partner)	Subtotal
<b>Admin Expenditures<sup>1</sup></b>				
Initial Payment Request	\$35,756.00			\$35,756.00
Second Payment Request	\$35,756.00			\$35,756.00
Third Payment Request	\$35,756.00			\$35,756.00
Final Payment Request	\$53,637.33			\$53,637.33
<b>Admin Expenditure Subtotal</b>	<b>\$160,905.33</b>			<b>\$160,905.33</b>
<b>Equipment Expenditures</b>				
1 LEKTRO AP8950SDB-AL-200 Electric Aircraft Tug		\$134,087.78	\$89,391.85	\$223,479.63
<b>Subtotal for 8 Electric Aircraft Tugs</b>		<b>\$1,072,702.22</b>	<b>\$715,134.82</b>	<b>\$1,787,837.04</b>
<b>Subtotal for Equipment</b>		<b>\$1,072,702.22</b>	<b>\$715,134.82</b>	<b>\$1,787,837.04</b>
<b>Project Totals</b>	<b>\$160,905.33</b>	<b>\$1,072,702.22</b>	<b>\$715,134.82</b>	<b>\$1,948,742.37</b>
Associated Percentages	15% of Total Trust Project Cost	60% of Replacement Cost	40% of Replacement Cost	

<sup>1</sup> The NDEP is planning to submit three “Advancement” payment requests to the Trustee to support the NDEP’s Administrative expenses associated with this project and one “Reimbursement” payment request to the Trustee that will include direction to provide funding to the NDEP for Administrative expenses and Southwest Airlines for the replacement of the airport ground support equipment. The first “Advancement” request is included with this Beneficiary Eligible Mitigation Action Certification and the two that will follow are expected to be submitted on a semiannual basis beginning in 2021 — that is, January 1, 2021 and July 1, 2021.

**PROJECTED TRUST ALLOCATIONS**

<b>ANNUAL PROJECTIONS</b>	<b>2020</b>	<b>2021</b>
1. Anticipated annual project funding request to be paid through the Trust	\$35,756.00	\$1,197,851.55
2. Portion of anticipated project funding request to be paid through the Trust to cover Eligible Mitigation Action Administrative Expenditures	\$35,756.00	\$125,149.33
3. Portion of anticipated project funding request to be paid through the Trust to cover Eligible Mitigation Action Expenditures	-	\$1,072,702.22
4. Anticipated annual cost share	-	\$715,134.82
5. Anticipated total project funding by year (line 1 plus line 4)	\$35,756.00	\$1,912,986.37
<b>CUMULATIVE PROJECTIONS</b>		
6. Cumulative outstanding Trustee payments requested against cumulative approved Beneficiary allocation		\$7,479,211.88
7. Cumulative Trustee payments made to date against cumulative approved Beneficiary allocation		\$4,100,971.75
8. Beneficiary funding to be paid through the Trust for this project (sum of line 1)		\$1,233,607.55
9. Total funding approved for Beneficiary Eligible Mitigation Actions, inclusive of current Action (sum of lines 6, 7, and 8)		\$12,813,791.18
10. Beneficiary share of estimated funds remaining in Trust		\$20,773,052.73
11. Estimated Beneficiary funds remaining in Trust after project completion (line 10 minus lines 6 and 8)		\$12,060,233.30

**ATTACHMENT C**

**DETAILED PLAN FOR REPORTING ON ELIGIBLE MITIGATION ACTION  
IMPLEMENTATION**



## **ATTACHMENT C**

### **DETAILED PLAN FOR REPORTING ON ELIGIBLE MITIGATION ACTION IMPLEMENTATION**

The Nevada Division of Environmental Protection (NDEP) will provide detailed reporting on this Volkswagen (VW) Environmental Mitigation Trust Fund for State Beneficiaries Eligible Mitigation Action project in two ways: 1, timely updates to NDEP's VW Environmental Mitigation Trust Fund webpage; and 2, Nevada's semiannual reporting obligation to Wilmington Trust (the "Trustee").

NDEP maintains a VW Environmental Mitigation Trust Fund specific webpage that has been designed to support public access and limit burden for the general public. The NDEP's VW specific webpage can currently be found at <https://ndep.nv.gov/air/vw-settlement>. Timely updates to the webpage will inform the general public on the project's status as well as when this Eligible Mitigation Action has been completed.

Subparagraph 5.3 of the Environmental Mitigation Trust Agreement for State Beneficiaries details Nevada's Reporting Obligations:

"For each Eligible Mitigation Action, no later than six months after receiving its first disbursement of Trust Assets, and thereafter no later than January 30 (for the preceding six-month period of July 1 to December 31) and July 30 (for the preceding six-month period of January 1 to June 30) of each year, each Beneficiary shall submit to the Trustee a semiannual report describing the progress implementing each Eligible Mitigation Action during the six-month period leading up to the reporting date (including a summary of all costs expended on the Eligible Mitigation Action through the reporting date). Such reports shall include a complete description of the status (including actual or projected termination date), development, implementation, and any modification of each approved Eligible Mitigation Action. Beneficiaries may group multiple Eligible Mitigation Actions and multiple sub-beneficiaries into a single report. These reports shall be signed by an official with the authority to submit the report for the Beneficiary and must contain an attestation that the information is true and correct and that the submission is made under penalty of perjury. To the extent a Beneficiary avails itself of the DERA Option described in Appendix D-2, that Beneficiary may submit its DERA Quarterly Programmatic Reports in satisfaction of its obligations under this Paragraph as to those Eligible Mitigation Actions funded through the DERA Option. The Trustee shall post each semiannual report on the State Trust's public-facing website upon receipt."

NDEP shall, in the next semiannual report following the Trustee's approval of this project, describe the progress implementing this Eligible Mitigation Action that will include a summary of all costs expended on the Eligible Mitigation Action through the reporting date. The report will also include a complete description of the status, development, implementation (including project schedule and milestone updates), and any modification to this Eligible Mitigation Action.

**ATTACHMENT D**

**DETAILED COST ESTIMATES FROM SELECTED OR POTENTIAL VENDORS FOR  
EACH PROPOSED EXPENDITURE EXCEEDING \$25,000**

# LEKTRO

1190 S.E. Flightline Drive  
 Warrenton, Oregon 97146-9692  
 Tel: +1.503.861.2288 Fax: +1.503.861.2283  
 U.S. Toll free: 1.800.535.8767  
 Email: sales@lektro.com Web: www.lektro.com

## 2021 Quotation

**Bill To:** Southwest Airlines Co.  
 P.O. Box 36611, HDQ-7PD  
 Dallas, TX 75235-1611  
 Attn: Eric Kenney  
 Ph: 214-792-5750  
 Fax: 214-792-5752  
 Email: eric.kenney@wnco.com

Date:	<b>June 28, 2019</b>	Sales Person:	<b>Eric W. Paulson</b>
Inquiry Date:	<b>June 28, 2019</b>	Ship Via:	<b>Motor Freight</b>
Ship Date:	<b>First Article</b>	Incoterms 2010:	<b>EXW</b>
	<b>10 - 12 Weeks ARO</b>		<b>Warrenton, OR</b>
Terms:	<b>Net 45 Days</b>		
Shipping Charges:	<b>Collect</b>	Insurance:	<b>Collect</b>

ALL QUOTATIONS AND SALES ARE SUBJECT TO THE TERMS AND CONDITIONS ON THE REVERSE HEREOF.

QTY	DESCRIPTION	UNIT PRICE	TOTAL AMT
1	New 2021 Lektro Model AP8950SDB-AL-200 Aircraft Tug, 210,000 lb./95,256 kg. Capacity		\$248,709.00
	FSIP EVT1000LV IGBT Electronic Speed Control with On-Board Diagnostics		STD
	58.3 HP DC Drive Motor with Cooling Fan		STD
	Overspeed Warning System		STD
	Auburn/Dana 44 Differential, 5.38 Ratio		STD
	On/Off Power Switch (Non-Keyed)		STD
	Hour Meter		STD
	Electronic Battery Monitor, Motive Battery		STD
	Dual Forward and Aft LED Headlights with Guards		STD
	Four Flashing Amber LED Running Lights with Guards		STD
	Amber Strobe Light with Shield		STD
	Dual Cradle Illumination LED Lights with Guards and Dual Fender Controls		STD
	Dual 80 VDC, 1360 Amp Hour (6-Hr. Rate), Industrial Motive Batteries		STD
	Single-Point Central Battery Water Fill System for Motive Batteries		STD
	<b>DELETE</b> Two 80 VDC, 130 Amp, 208-480 VAC, 50/60 Hz, 3-Ph, Fully Automatic Chargers		(9,187.00)
	BMID with BIW 9-Pin Receptacles and Shield on Rear with Auto Power Disconnect		INCL
	Patented Electric/Hydraulic, Dual Cylinder, Universal Nose Gear Cradle with Torque Sensing Turntable Deck		STD
	Dual Facing Operator's Seats, Premium Grade, (Light Gray) with Armrests, Suspension and Retractable, Yellow Seat Belts		INCL
	Foot Applied Dual Hydraulic Disc Brakes on Drive Line with Boost Assisted Master Cylinder and Red Brake Pedals		STD
	Hydraulic Parking Brake, Hand Push/Pull Applied		STD
	Solid-Pneumatic Traction Drive Tires (28 x 12.5-15)		STD
	Solid-Pneumatic Traction Steer Tires (23 x 9-10)		STD
	Heavy-Duty Hydraulic Winch with Nylon Belt Including Automatic Cut-off		STD
	B737/A318-321 (North America) Pawl Adapter Mated to Winch Strap		INCL
	Dbl 1" x 29" Nylon Strut Straps with Protective Sleeve		STD
	Electric/Hydraulic Power Steering		STD
	Tilt Steering Column		STD
	Rear Steering Suspension		STD
	Side Mount Accessory Holders with Covers		STD
	High Gloss Enamel SWA Blue Paint with Polyurethane Protective Coating with Customer Decals & Reflective Tape		INCL
	Cradle Camera with Dual Color Monitors		INCL
	LED Brake Light/Turn Signal Kit, Dual Helm		INCL
	Side View Mirrors, Dual Helm		INCL
	Draw Bar Pin Mounted on Rear of Tug		STD
	Heavy NLG Ballast Kit		STD
	Steel Side Rub Rails		STD
	Fire Extinguisher		STD
	8' LED Whip Marker Light		N/C
	Mount Customer Provided Headset Basket		N/C
	Parts/Service/Operation Manual with Exploded View on USB and Hard Copy		INCL
	Two Year Gold Seal Warranty		INCL
	<b>Sub Total</b>		\$239,522.00
	Less: Qty. 1-9: Less 15% (Ordered at once, delivery within 90 days)		(35,928.00)
	<b>Sub Total</b>		203,594.00
	Freight		Collect
	Estimated Sales Tax (8.25%)		16,796.50
	<b>Sub Total</b>		\$220,390.50
	<b>Net Pricing (without Tax)</b>		
	Qty. 10-19: Less 17.5 % (Ordered at once, delivery within 90 days)	\$197,606.00	
	Qty. 20-49: Less 20% (Ordered at once, delivery within 90 days)	\$191,618.00	
	Qty. 50+: Less 22.5% (Ordered at once, delivery within 90 days)	\$185,630.00	

We are pleased to submit this quotation for your consideration. Our quote is valid until: December 31, 2021  
 Should you place an order, be assured it will receive our prompt attention.

Prepared By Eric W. Paulson Accepted By \_\_\_\_\_ Date \_\_\_\_\_

Personally Guaranteed By \_\_\_\_\_ Date \_\_\_\_\_

Print Name \_\_\_\_\_ Address \_\_\_\_\_



# Southern Pride Trucking Inc.

QUOTE #  
13260

QUOTE FOR:	WNGSEBILL
...ERIC KENNEY SOUTHWEST AIRLINES 7510 AVIATION PLACE SUITE 130 DALLAS, TX 75235	
BILL TO:	WNGSEBILL
SOUTHWEST AIRLINES ATTN: POSITION ID 42058855 7510 AVIATION PLACE SUITE 130 DALLAS, TX 75235	

Date 7/1/2019  
 Expired on 12/28/2019  
 Pickup by 7/1/2019  
 Deliver by 7/1/2019

FROM	LEKTROPDX	TO	WNCARLAS
LEKTRO TUG INC 1190 S.E. FLIGHTLINE DR. WARRENTON, OR 97146		SOUTHWEST AIRLINES CARGO 6055 SURREY ST SUITE 121 LAS VEGAS, NV 89119	

	COMMODITY DESCRIPTION	WEIGHT	RATE	CHARGE
1	LEKTRO 8950 PUSHBACK	20200	2.150	2,625.15
	FUEL SURCHARGE		0.380	463.98

DIMENSIONS: L21' W8'03" H4'

HM

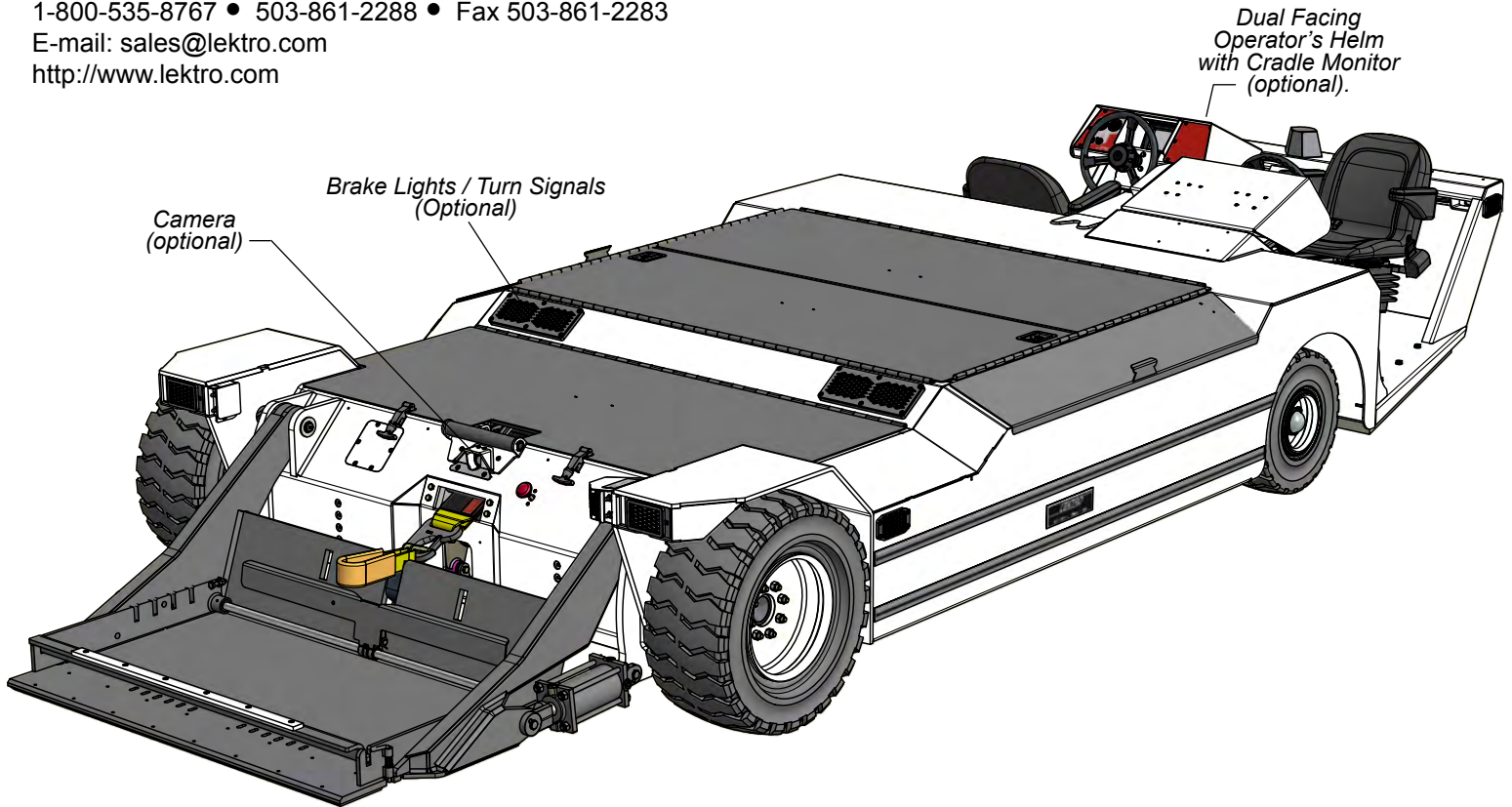
Quote question please call:  
(800) 922-8600

ESTIMATE:	\$	3,089.13
-----------	----	----------

# LEKTRO

1190 S.E. Flightline Drive, Warrenton, Oregon 97146-9692  
 1-800-535-8767 • 503-861-2288 • Fax 503-861-2283  
 E-mail: sales@lektro.com  
 http://www.lektro.com

## Model AP8950SDB AIRCRAFT TOWING VEHICLE FOR AIRCRAFT UP TO 180,000 LBS/81,648 KG



### AP8950SDB FEATURES:

**Vehicle Drive:** 58.3 HP/45.5 kW, 80 VDC Traction Motor mated with Auburn/Dana 44 Differential.

**Motor Speed Control:** EVT1000LV IGBT with On-Board Diagnostics. Speed controlled by Foot Throttle.

**Batteries:** Dual set of two 40 VDC Industrial, 595 AMP-HR Batteries (6 hr rate), wired in series-parallel. 680 AH and Single Point Watering System, optional.

**GPU:** Built-in Independent 12/24/28 VDC / 1175 CCA Batteries and Charging System, optional.

**Motive Battery Chargers:** Two external Fully Automatic 120 AMP DC / 208-480 VAC / 50-60 Hz / 3-PH Chargers.

**Nose Gear Lift Cradle:** Patented Universal Nose Gear Lift Cradle activated by an Electric/Hydraulic Pump Assembly capable of handling dual and single wheel aircraft. Aircraft Selection System and Patented Torque Sensing Turntable Cradle Deck, optional.

**Winch:** Heavy-duty Hydraulic Winch with Automatic Safety Cut-Off. Winch and Strut Straps included.

**Steering:** Electric/Hydraulic Power Steering controlled through Automotive-type Tilt Wheel requiring minimal effort with very responsive steering action. Automatic Timer turns off power when tug not in use, increasing battery shift life. Simple Double Ended Cylinder Steering Axle with Tapered Roller Bearing Kingpins.

**Service Brakes:** Foot Operated Dual Hydraulic Disc Brakes with Boost Assisted Master Cylinder to achieve maximum braking with minimal effort.

**Parking Brake:** Hand activated Electric Switch controlling Spring Applied/Hydraulic Released Calipers mounted on each Service Brake Disc.

**Drive Tires:** Single 28 x 12.5-15 Solid-Pneumatic Traction Tread. Siping, Tire Socks and Chains, optional.

**Steer Tires:** 23 x 9-10 Solid-Pneumatic Traction Tread mounted to a Fully Suspended Steer Axle.

**Lighting:** Dual Forward and Aft LED Headlights, Four Flashing Amber LED Running Lights and Amber Strobe Light mounted Center Rear. LED Brake Lights/Turn Signals, optional.

**Operator's Compartment:** Operator and Passenger Seats, Forward Facing, Premium Grade including Armrests (Available in Black or Light Gray). Operator's Seat features a Fully Suspended, Adjustable setting for height, fore/aft and weight. Seat Belts, Dual Facing Operator's Helm and Cab with Heater, Defroster, and Windshield Wipers, optional.

**Camera and Monitors:** Camera at Aircraft Interface Area, with Color Monitors at "A" and "B" Station, optional.

**Construction:** Welded Steel Plate and Polymers preserved by Primer and Automotive High-Gloss Red or White Enamel Paint with special protective Polyurethane Coating to prevent rust, scratches and corrosion. Steel Side Rub Rails and Custom colors, optional.

### SPECIFICATIONS:

Length .....	242.5 in / 616.0 cm
Width .....	99.8 in / 253.6 cm
Height (At lowest steering tilt setting) .....	38.9 in / 98.8 cm
Turning Radius .....	209 in / 531 cm
Wheel Base .....	115.3 in / 292.8 cm
Vehicle Speed, Empty .....	7.5 MPH / 12 KPH
Vehicle Speed, Loaded (To max. Vehicle Capacity) .....	4 MPH / 6.44 KPH
**Lift Cradle Capacity .....	18,000 LBS / 8165 KG
Nose Gear Cradle Lifting Height .....	11 in / 28 cm
Ground Clearance .....	5 in / 12.7 cm
Shipping Weight w/o Batteries & Chargers .....	9000 LBS / 4082 KG
Shipping Weight w/ Motive Batteries & Chargers .....	18,000 LBS / 8165 KG
Shipping Weight w/ Motive & GPU Batteries & Chargers .....	18,350 LBS / 8323 KG

\*\*Lift Capacity is calculated with 30 in / 76.2 cm diameter aircraft tire in lift cradle. Aircraft tire center line at 26 in / 66 cm from drive tire center line.

### ADDITIONAL OPTIONS:

Draw Bar Pin, Specialized Aircraft Towing Adapters and Custom Highlift Adapters are available (consult factory). Illustration may show some optional equipment.

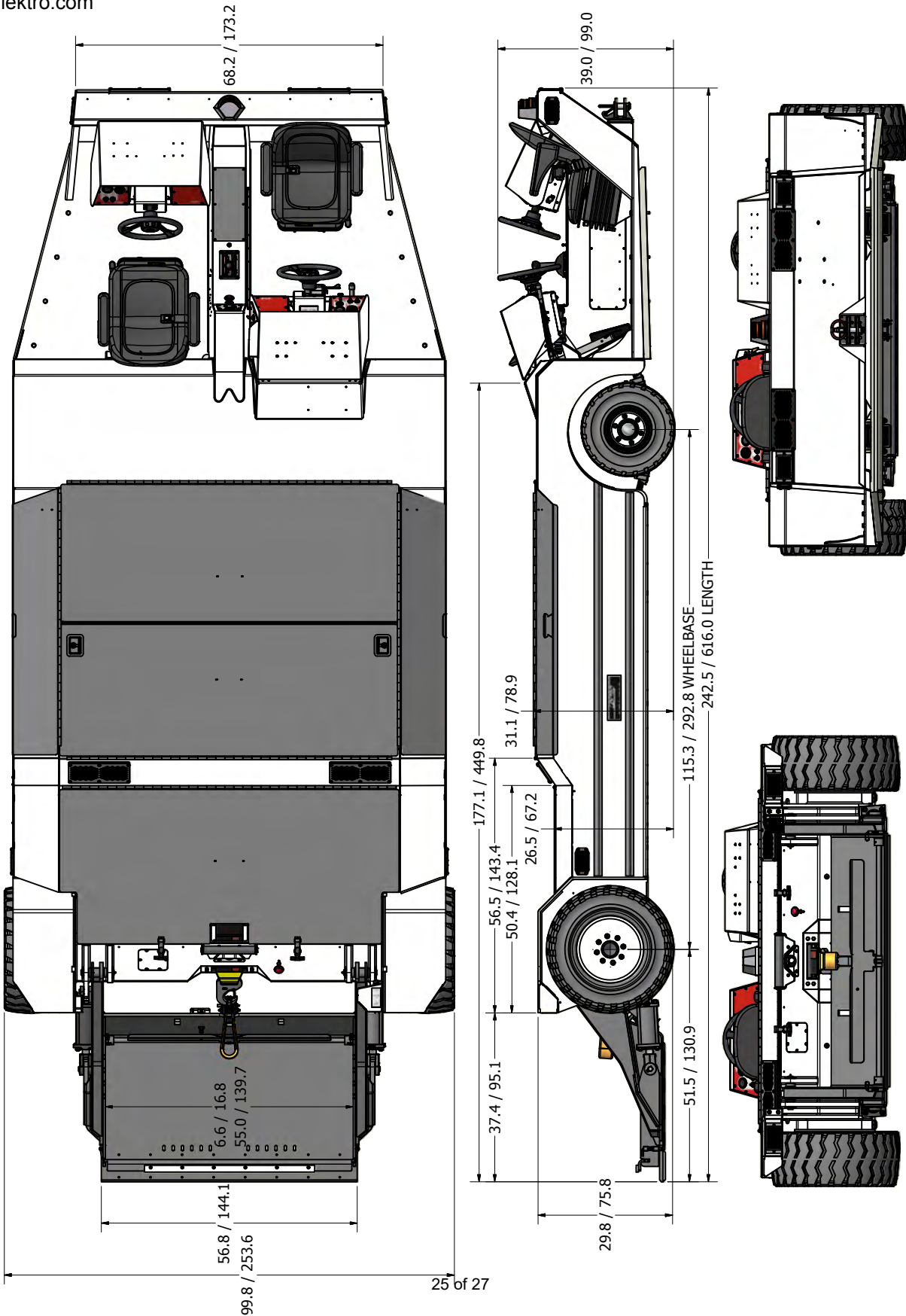
\*LEKTRO reserves the right to make changes and improvements in products and specifications without notice or obligation.

PATENT Nos. 5,151,003 / 5,302,075 / 9,067,691.

# LEKTRO

1190 S.E. Flightline Drive, Warrenton, Oregon 97146-9692  
1-800-535-8767 • 503-861-2288 • Fax 503-861-2283  
E-mail: sales@lektro.com  
http://www.lektro.com

## Model AP8950SDB AIRCRAFT TOWING VEHICLE FOR AIRCRAFT UP TO 180,000 LBS/81,648 KG





# ALTUS

**The World's only Cloud-Connected Charger for Demanding eGSE Applications**

## Take Control of Your eGSE Fleet

Minit Charger, a recognized leader in fast charging technology, just raised the bar again. Altus, our robust charging solution for eGSE is now connected to our cloud portal AssetPro. Altus empowers airport personnel to better manage their fleet with unprecedented visibility and insight on charger and GSE performance.

- + Dual Port Charger
- + Multiple Power Output Options
- + High-Frequency IGBT Technology
- + Outdoor Rated Enclosure
- + Monitor/Configure Charger from Anywhere
- + Charger Can Share Jet Bridge Power with Optional Bridge Power Manager
- + Wireless Battery Module
- + Break-Away Charge Cables
- + High-Visibility Status LEDs
- + Four-line Status Display

## Advanced Battery Management

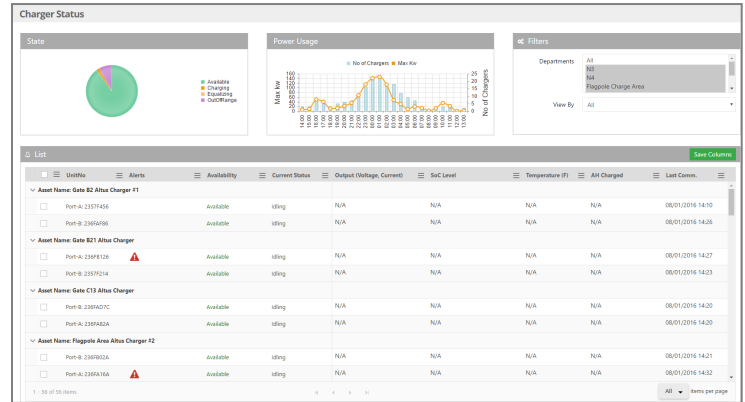
In addition to our patented technology, we have added advanced battery management to improve battery performance and extend life. Altus can be purchased with an optional wireless battery management system which sends up-to-the-minute data on battery voltage, amp hours delivered and returned, temperature and electrolyte level to the AssetPro server.



## AssetPro Cloud-Based Asset Management

AssetPro collects data from all chargers, battery management devices, and even vehicle monitoring devices. The data is organized in heads-up dashboards, detailed status pages, and customizable reports for intelligent management of the entire fleet.

AssetPro can also send emails to management when equipment needs immediate attention.



## Altus Charger Specifications

Input Power	Output Power/Port	General
<b>Altus 22kW Dual Port Charger</b>		
380/400/480 VAC, 3 Phase, 50/60 Hz	Voltage: 24V-96V nominal	Dimension: 68" H x 32" W x 24" D
Rated Current @ 480VAC: 32 A	Max Current: 130 A	Weight: (Approx) 350 Lbs. / 160kg
Rated Current @ 400VAC: 40 A		
Rated Current @ 380VAC: 42 A		
Efficiency: up to 93%		
<b>Altus 30kW Dual Port Charger</b>		
480 VAC, 3 Phase, 50/60 Hz	Voltage: 24V-96V nominal	Dimension: 68" H x 32" W x 24" D
Rated Current @ 480VAC: 42 A	Max Current: 320 A	Weight: (Approx) 450 Lbs. / 205kg
<b>Altus 40kW Dual Port Charger</b>		
480 VAC, 3 Phase, 50/60 Hz	Voltage: 24V-96V nominal	Dimension: 68" H x 32" W x 24" D
Rated Current @ 480VAC: 54 A	Max Current: 320 A	Weight: (Approx) 450 Lbs. / 205kg

Enclosure: NEMA 3R / IP23 Outdoor rated

Warranty: 2 Years Parts, 1 Year Labor

Temperature: -13° to 104° F (-25° to 40° C)

Certifications: UL1564 for Outdoor Use

As part of our continuous improvement policy, product specifications may change without notice.

**MINIT CHARGER**  
[www.minitcharger.com](http://www.minitcharger.com)

908-789-8700